

How to Order	Product Model	Hold Open	Finish
Floor Spring	■ M5002	■ 90°	■ SS=Satin Stainless Steel
	■ M5003	■ 105°	■ SS=Satin Stainless Steel
	■ M5004	■ None	■ SS=Satin Stainless Steel

How to Order	Product Model	Suitable Door Thickness	Finish
Door Patch Fittings	■ PF10	■ 12mm	■ SS=Satin Stainless Steel
	■ PF20/30/40	■ 10mm	■ SS=Satin Stainless Steel
	■ PL10		■ SS=Satin Stainless Steel

Briton

M5000 Series Floor Spring

Ingersoll Rand Security Technologies has long been synonymous with high quality products, and the Briton M5000 series Floor Springs are no exception. The Briton M5000 series was designed and manufactured using the same superior standards that have made Ingersoll Rand a proven leader in the door hardware industry. Briton M5000 series Floor Springs meet the highest quality certifications and exceed the requirements of European national hardware standards.



Total Product Solution

Ingersoll Rand produces a wide selection of mechanical hardware products, including locks, door closers, exit devices, hinges, and accessories. In addition, Ingersoll Rand provides electronic solutions ranging from off-line locksets to fully integrated access control systems.

As a global leader, Ingersoll Rand continues to satisfy the demands of worldwide clients by offering high quality proven solutions.

Ingersoll Rand Security Technologies

www.ingersollrand.com.au www.ingersollrand.co.nz

Australia

Customer Service Free Phone 1800 098 094
 Customer Service Free Fax 1800 098 095
 Customer Service Email cust.serv@ingersollrand.com.au
 Email info@ingersollrand.com.au

New Zealand

Customer Service Free Phone 0800 IRSTNZ (477 869)
 Customer Service Free Fax 0800 477 868
 Customer Service Email nz_cust.serv@ap.irco.com
 Email info@ingersollrand.co.nz

Briton
M5000 Series Floor Spring

Briton M5000 series Floor Springs fit many applications, including malls, airports, office buildings, hotels and hospitals. When long lasting, dependable and secure products are a priority, you can rely on the Briton M5000 series.



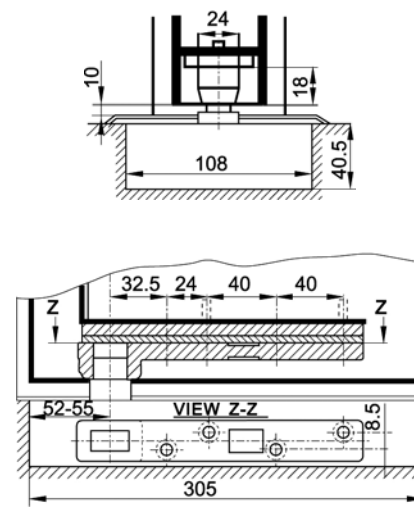


Features:

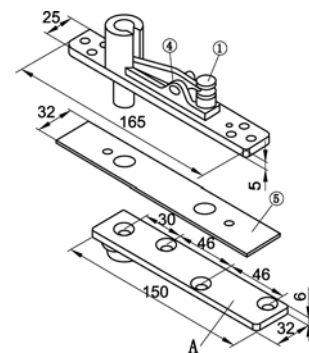
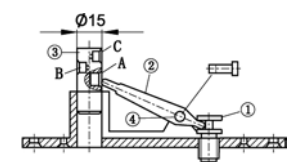
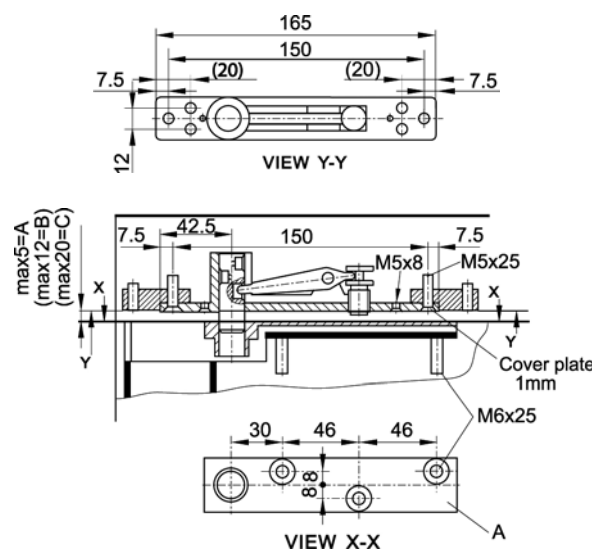
- ❑ Tested to EN1154 - A class certified; For door width and weight maximum of 1200mm and 130kg respectively
- ❑ Tested to 500,000 cycles; 5 years warranty
- ❑ Dual action floor spring with 3 installation adjustments to meet the needs of new and retrofit applications
- ❑ Closing and latching speed adjustments control the door during operation
- ❑ Suitable for -25°C to 40°C
- ❑ Cast iron body with stainless steel cover

Key Technical Specifications

Key Technical Specifications	M5002	M5003	M5004	Mustad 8610	Mustad 9210
Tested to EN1154	Y	Y	Y	Y	Y
500,000 Test cycle (EN)	Y	Y	Y	Y	Y
Maximum Door Weight (kg)	90	110	130	150	250
Maximum Door Width (mm)	1000	1150	1200	1200	1250
Dual Action	Y	Y	Y	Y	Y
Double Cylinder	Y	Y	Y	-	-
Closing and Latching Speed	Y	Y	Y	Y	Y
Hold Open	90/105	90/105	90/105	90/105	90/105
Dimension (cement box L-W-H)	305x108x40.5	305x108x40.5	305x108x40.5	272x83x50	272x83x50



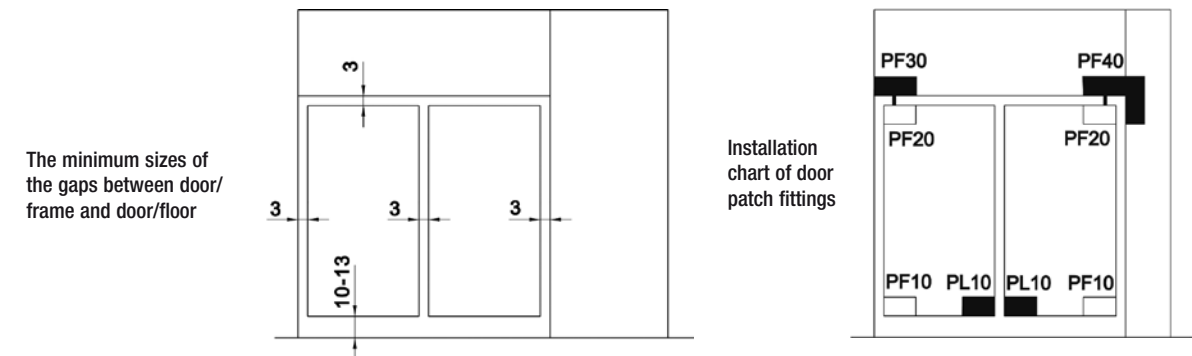
Door Preparation



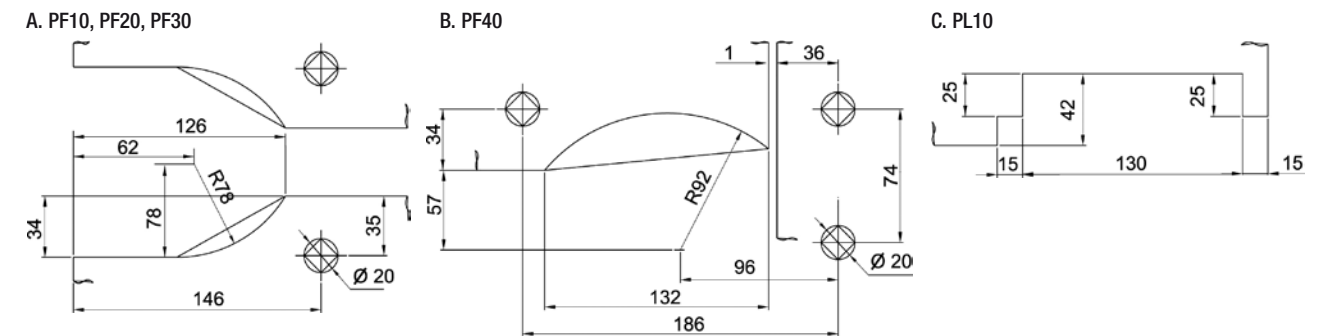
Features:

- ❑ Cast aluminium body with steel spindle housing provides stability and longer life cycle
- ❑ Durable stainless steel cover
- ❑ Suitable for 10mm - 12mm door thickness
- ❑ Patch lock with Ingersoll Rand commercial E Series lock cylinder can be easily integrated into a Master keying system

Demonstrations of glass door/door patch fittings installation



Size requirements for glass door installation



Size of door patch fittings

